

C and SG Series

Replace the Easy Pitch Bolt/Nut

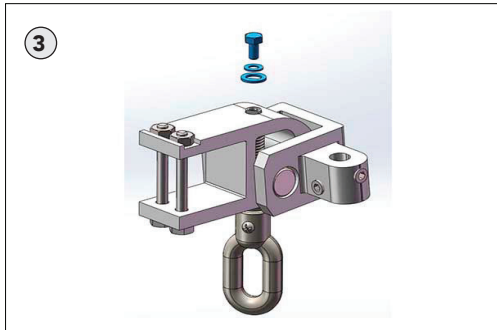
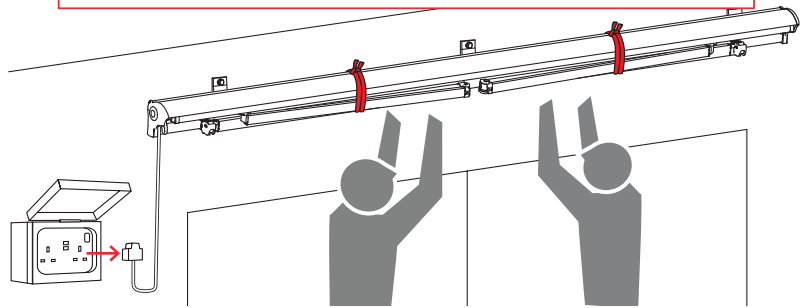
ADVANING®

- ① Retract the awning back to the fully closed position.
- ② Position yourself under the awning (not in front of the awning/arms).

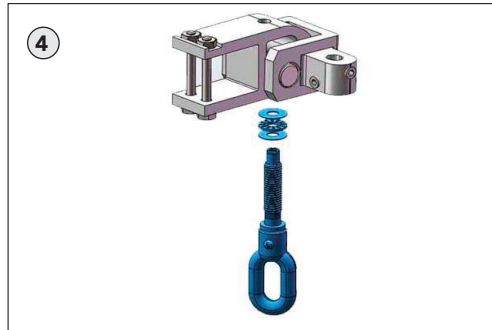
While making the adjustment, have an assistant help support the awning arm.

You will need a 5mm Short Arm Hex Key and a sturdy ladder.

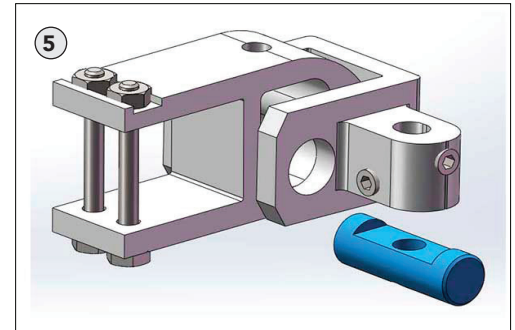
Secure the inner, outer arms and valance to the entire awning with ties or straps.
(Electric awnings: Please disconnect the power source)



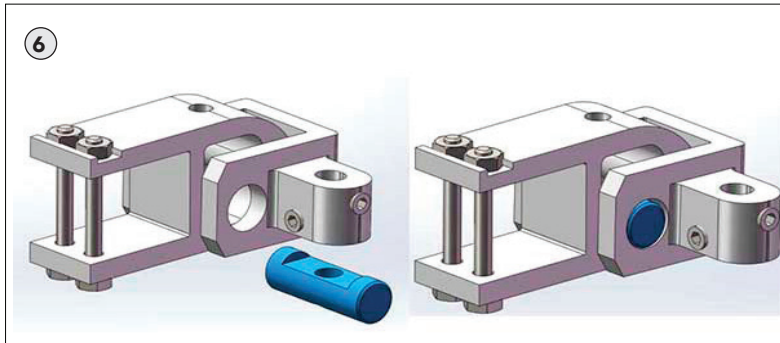
Unscrew the Top Screw with a 5mm Hex key. Remove the Top Screw, small washer and the D-Shape Washer.



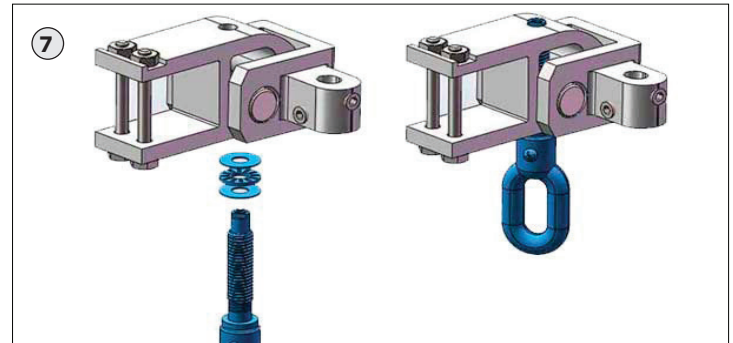
Remove the Adjusting Bolt.



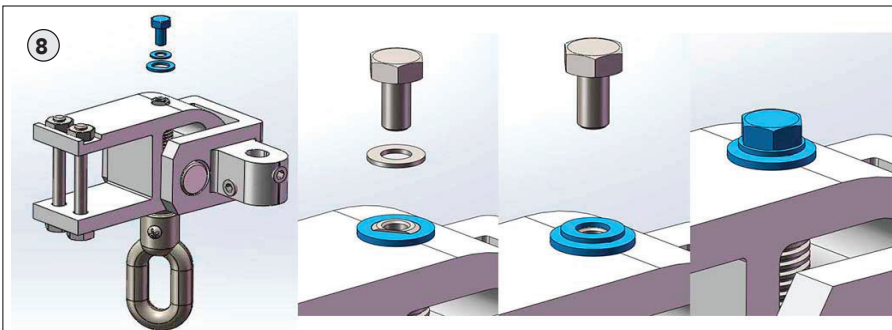
Remove the Adjusting Nut.



Insert the new Adjusting Nut. Make sure the flat side is facing up.



Insert and tightly screw the new Adjusting Bolt with washers and plane bearing in the correct order.



Place the D-Shape Washer, Small Washer, and tightly screw the Top Screw. Make sure all washers and screw are placed in the correct order.

Our team prides itself on quality in product and service.
Should you have any concerns or questions, do not hesitate to reach us at service@advaning.com.