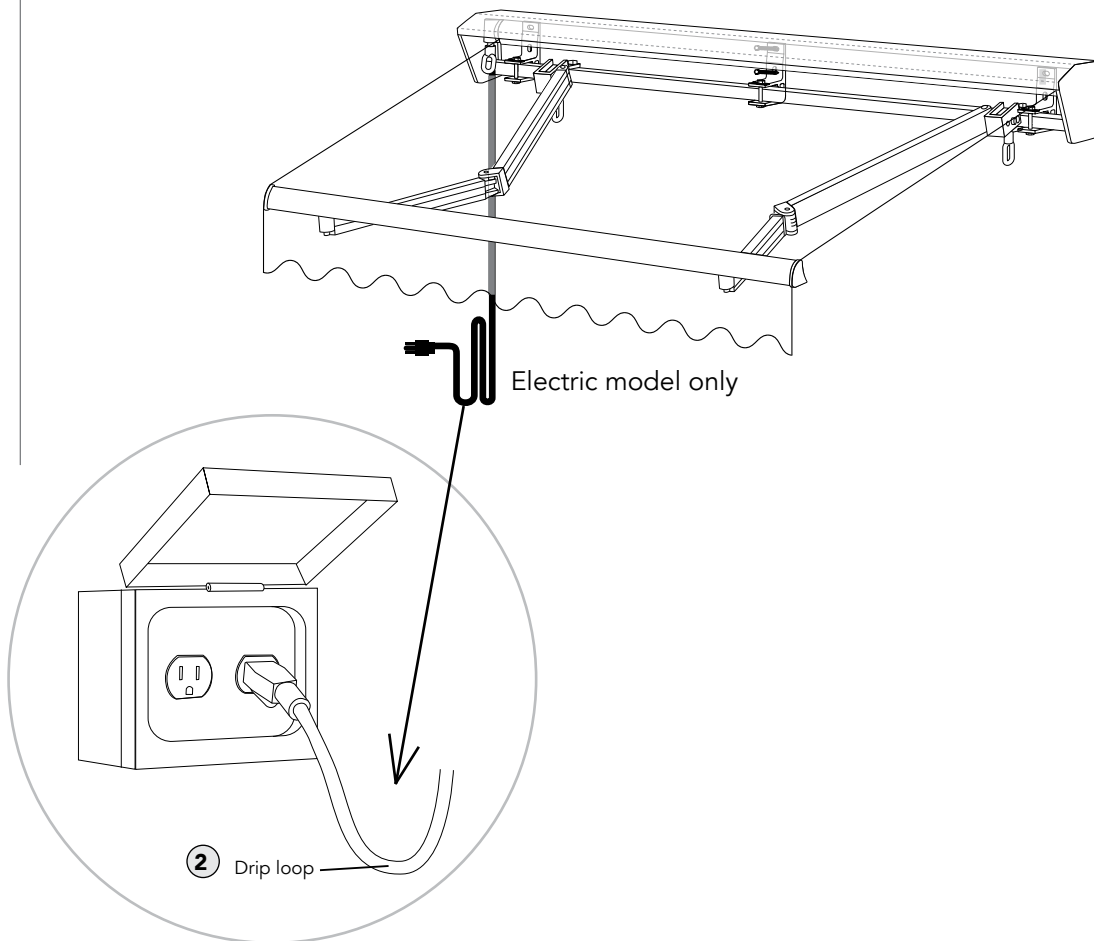


INSTALL POWER CORD FOR ELECTRIC MODELS

- 1 Plug into a GFI rated outdoor socket.
- 2 Use a drip loop to avoid water collecting on electrical socket.

WARNING: DO NOT attempt to modify the plug in any way.



USING REMOTE CONTROL

Remove battery cover from the back of the remote control and install the battery in the remote control.

