

# How to Properly Open/Close Advaning Retractable Awnings

# ADVANING

## DO NOT HYPEREXTEND YOUR AWNING CANOPY.

Make sure your awning canopy always rolls over the top of the fabric roller whenever you are extending or retracting. (See figure 1-a.)

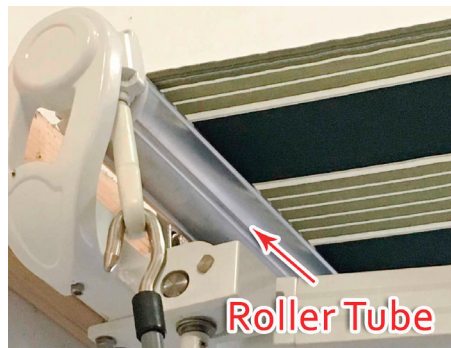
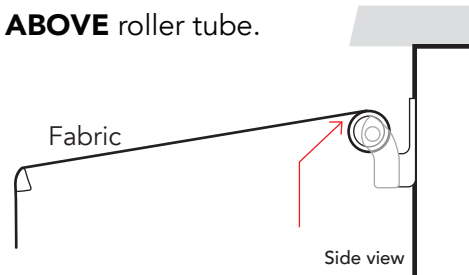
Do not hyperextend the awning until it starts rolling up under the fabric roller. (See figure 1-b.)

Incorrect way of canopy rolling under the fabric roller will damage the fabric, the lateral support arms and the internal awning mechanisms.

### CORRECT

Fabric should be rolled **ABOVE** roller tube.

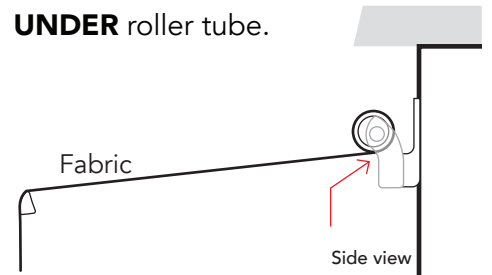
Fig 1-a



### INCORRECT

Fabric can NOT be rolled **UNDER** roller tube.

Fig 1-b

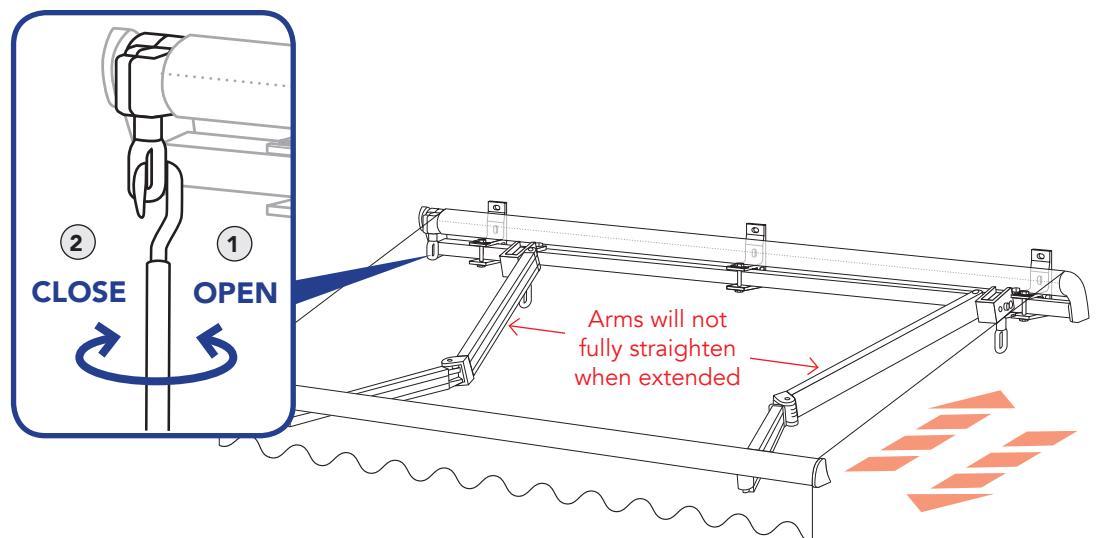


### NOTE: TO CORRECT THE CANOPY ROLLING UNDER THE FABRIC ROLLER:

- Please turn the hand crank counter-clockwise to fully extend the canopy.
- Then turn the hand crank clockwise to retract/close the awning with canopy rolling over the top of fabric roller.

## OPERATION

- 1 **OPEN** While facing the awning cassette, use the hand crank to bring out the canopy to its desired length.
- 2 **CLOSE** To close, reverse the process until the canopy has retracted back into the closed position. Make sure your awning canopy always feeds back over the top of the fabric roller when retracting. (See figure 1-a.)



Our team prides itself on quality in product and service.

Should you have any concerns or questions, do not hesitate to reach us at [service@advaning.com](mailto:service@advaning.com).