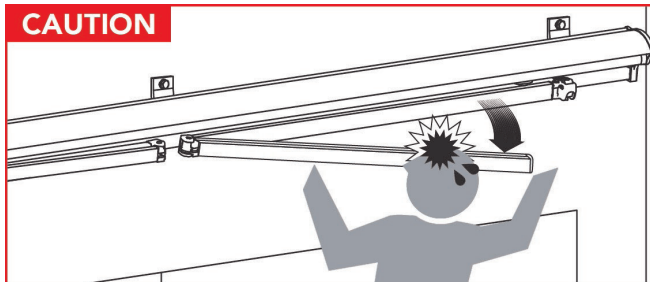


# L SERIES Dimensions Table (Wall and Soffit Bracket)

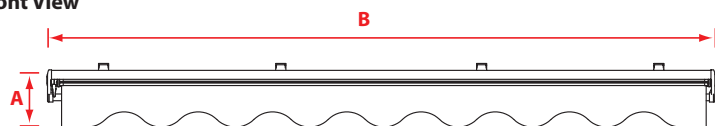


The awning arms contain tensioned cables. Always use caution, securely tie the awnings arms to the awning when performing installation, adjustments, or repairs. Sudden movement of tension arms can result in serious personal injury, product and/or property damage.

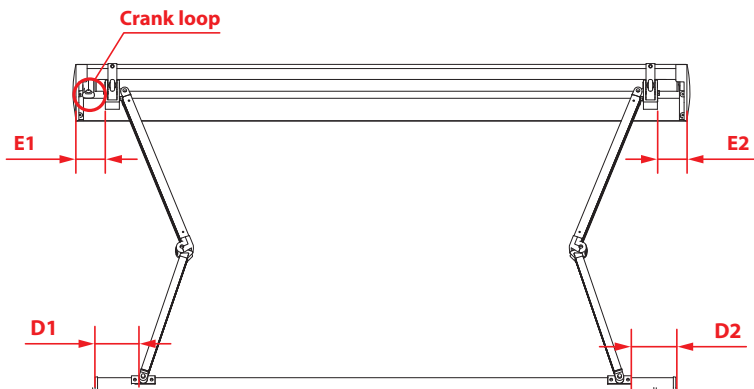
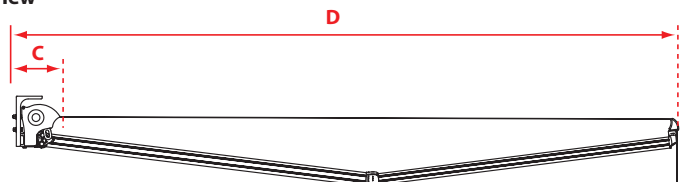
Style	Size (ft)	Actual Product Weight (lbs)	A (in)	B (in)	C (in)	D (in)	E1 (in)	E2 (in)	D1 (in)	D2 (in)
			Height : Top to Bottom	Width: Side to Side	Min Depth : Front to Back	Max Depth : Front to Back				
Manual	8 x 6	61.1	10.5	98	7.6	78	3.9	3.9	6.3	8.0
	10 x 8	79.1	10.5	118	7.6	98	4.5	4.5	7.6	8.9
	12 x 10	94.8	10.5	142	7.6	118	5.7	5.7	9.8	11.6
	14 x 10	107.1	10.5	165	7.6	118	16.5	16.5	21.3	22.6
	16 x 10	117.7	10.5	189	7.6	118	21.7	21.7	28.1	29.9
Electric	10 x 8	83.6	10.5	118	7.6	98	4.5	4.5	7.6	8.9
	12 x 10	99.2	10.5	142	7.6	118	5.7	5.7	9.8	11.6
	14 x 10	111.6	10.5	165	7.6	118	16.5	16.5	21.3	22.6
	16 x 10	122.1	10.5	189	7.6	118	21.7	21.7	28.1	29.9
	18 x 10	152.1	10.5	217	7.6	118	6.3	6.3	11.0	12.4

The listed measurements are for general reference only. Please always consult a professional installer for advice on proper hardware and installation. Note: Data Error ±10~20%.

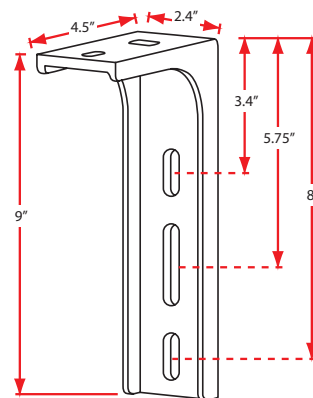
Front View



Side View



L series Soffit Bracket



S / L series Wall Bracket

