

It is recommended that you have a minimum of 2 people during installation

- ① Hold the assembled Door Awning in the area you want to install it and use a level to ensure that the Door Awning is leveled.
- ② Mark the positions of the 4 mounting holes through the bracket holes using a marker/ pencil.
- ③ Drill mounting holes using a masonry drill bit.

CAUTION: Make sure to use the appropriate sized drill bit for the mounting screws.

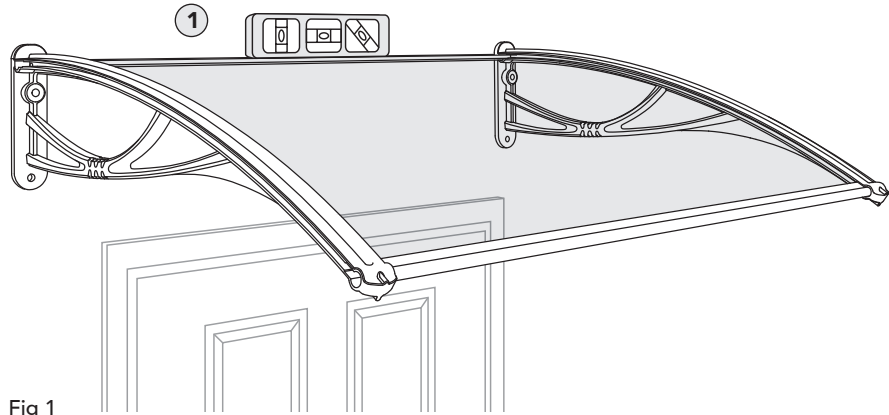


Fig 1

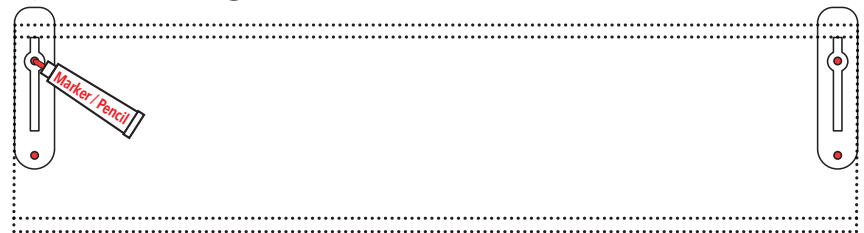
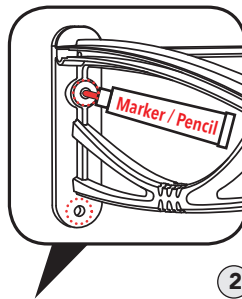


Fig 2

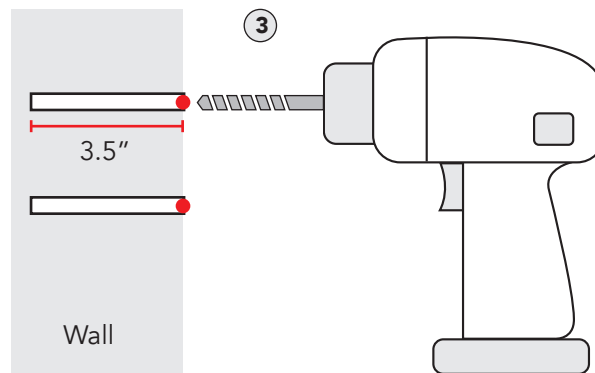


Fig3

④ Insert an expansion bolt set into each of the drilled bracket holes.

⑤ Leave the hex bolt head outside of the hole.

⑥ Tighten the hex bolt head.

CAUTION: Do not over tighten.

⑦ Unscrew and remove only the hex bolt. Leave the expansion sleeve inside the hole.

⑧ Place the Door Awning so that the bracket holes are aligned with the mounting holes on the wall.

⑨ Re-insert the hex bolts into the holes through the wall bracket.

⑩ Tighten the hex bolts to secure wall bracket to surface.

CAUTION: Always install brackets securely to the brick or concrete and not in the grout to avoid collapse and personal injury.

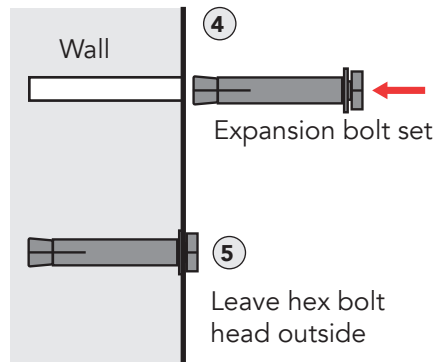


Fig 4

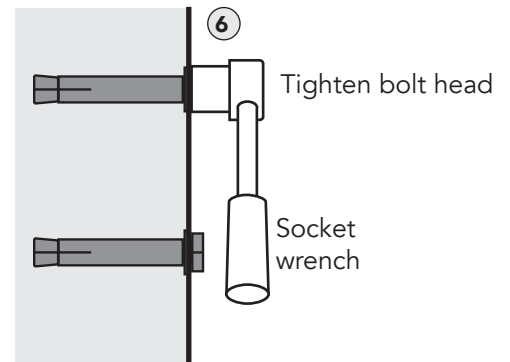


Fig 5

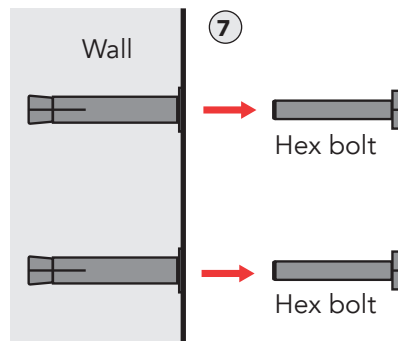


Fig 6

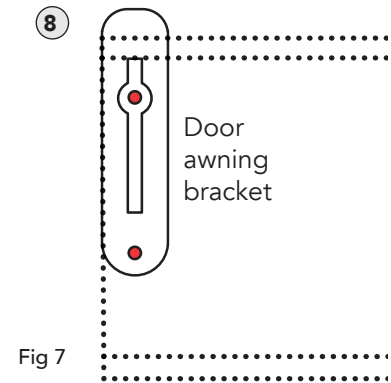


Fig 7

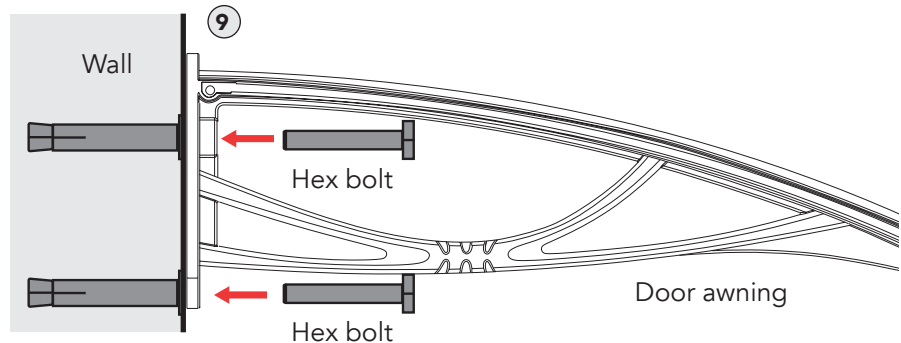


Fig 8

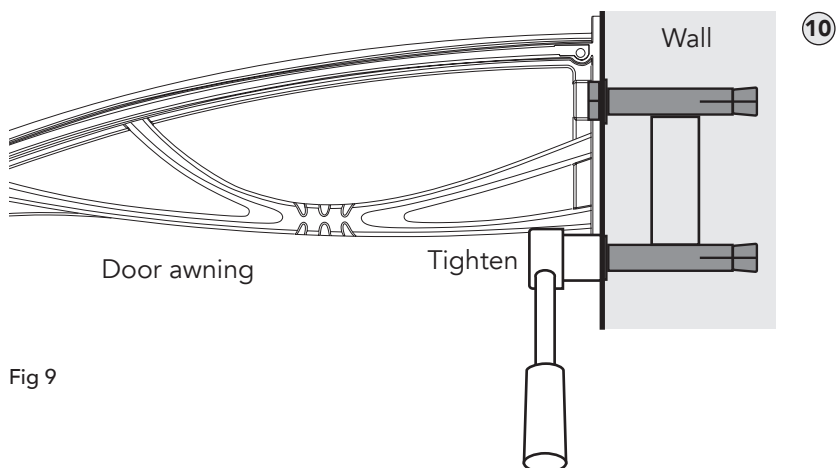


Fig 9