

Masonry installation

For installing Advaning's PA series onto solid brick or solid concrete wall/surface.

CAUTION: To avoid potential collapse and personal injury, only install brackets securely to solid brick and not in the grout.

NOTE: Minimum of 2 or more people to install

- ① Hold the assembled Door Awning in the area you want to install it and use a level to ensure that the Door Awning is leveled.
- ② With a Marker or Pencil mark the hole positions.
- ③ With a 3/8" x 4" masonry drill bit, drill holes between 3" to 3 1/4" deep for each bracket.
- ④ Remove excess dust and debris from holes with a tube brush or vacuum.

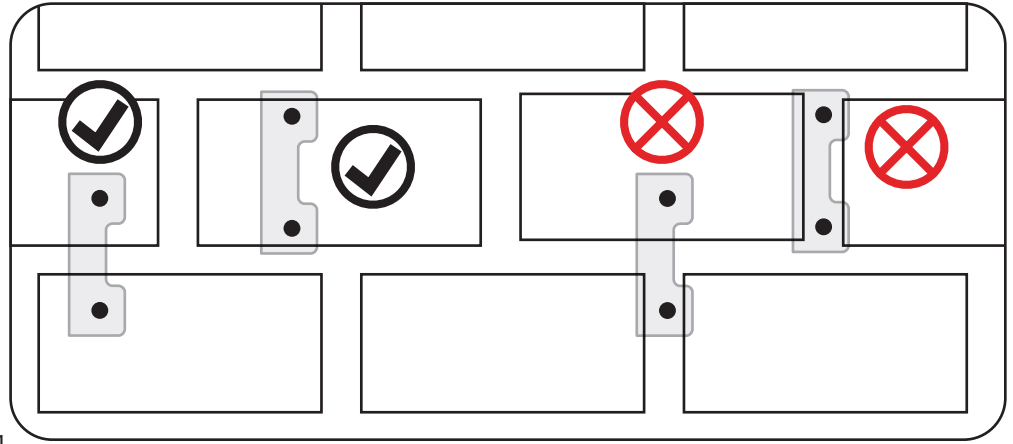


Fig 1

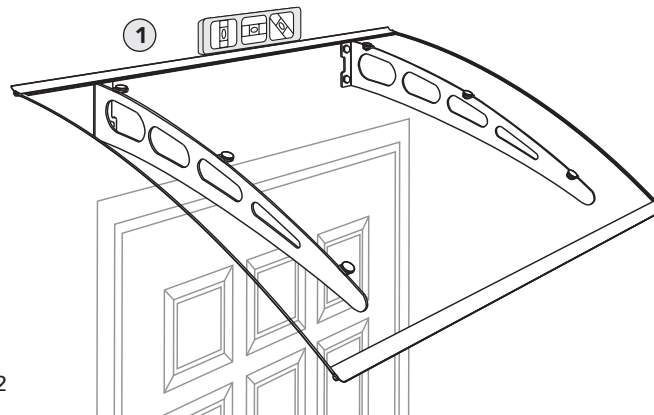


Fig 2

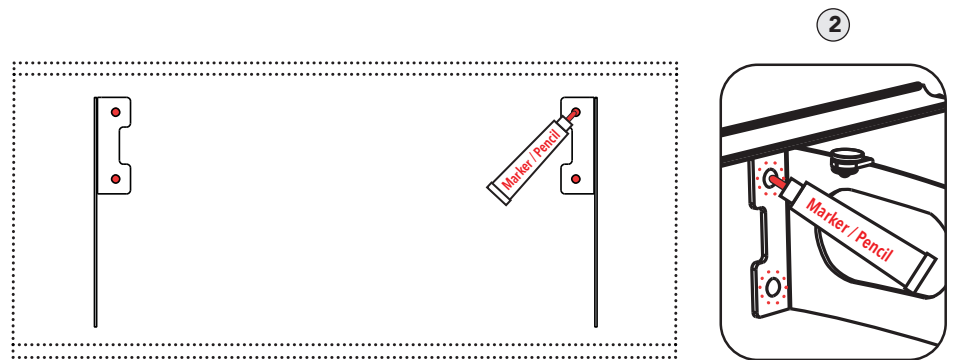


Fig 3

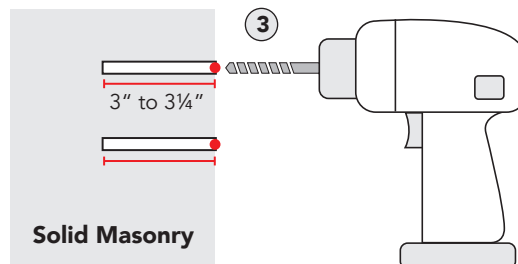


Fig 4

- ⑤ Remove the bracket screw set closest to the wall
- ⑥ Place the Door Awning over drilled holes and align brackets.
- ⑦ Insert the expansion bolt through the bracket until flush

NOTE: You may need to tap the expansion bolt with a mallet to ensure the bolt is flush with the bracket.

- ⑧ Use a 1/2" female socket and driver lightly tighten the hex bolts.

CAUTION: Do Not Overtighten as this can damage the bracket.

- ⑨ Repeat step 7~8 for all brackets and tighten to secure as needed.
- ⑩ Replace the bracket screw set.

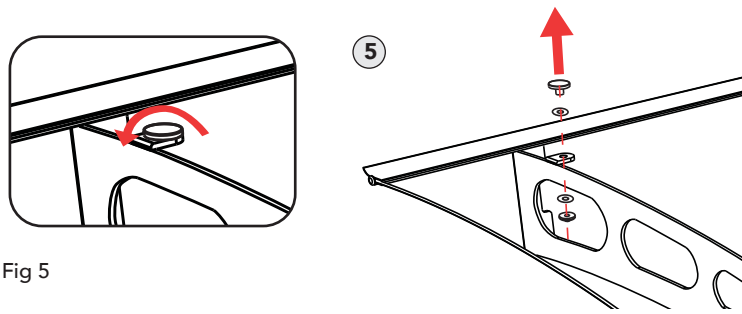


Fig 5

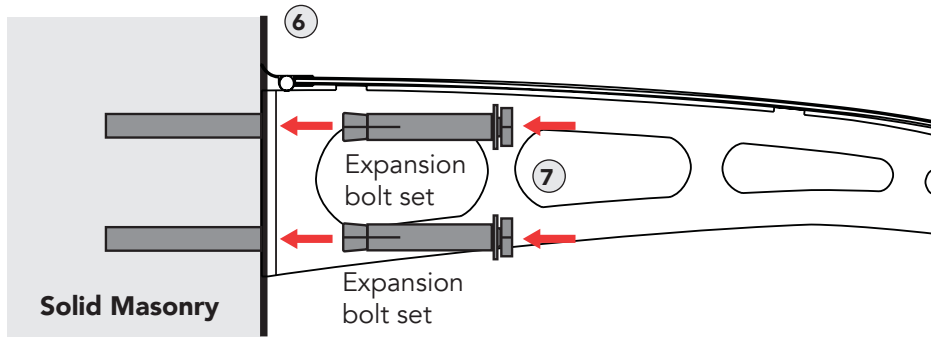


Fig 6

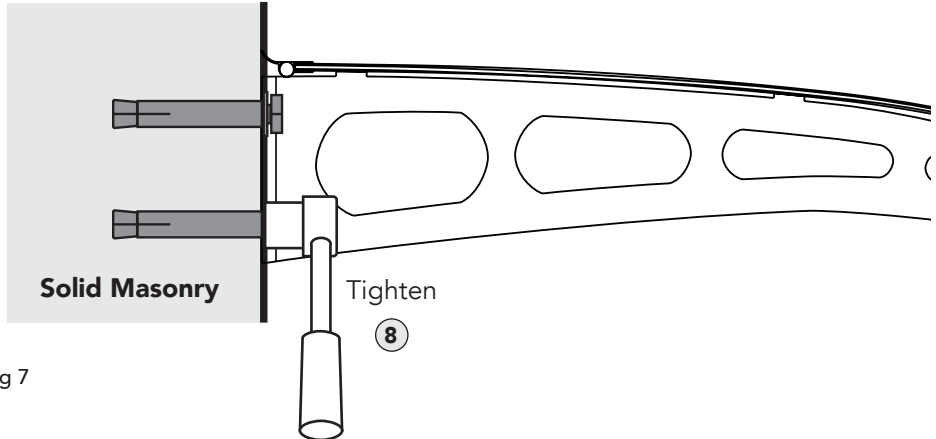


Fig 7

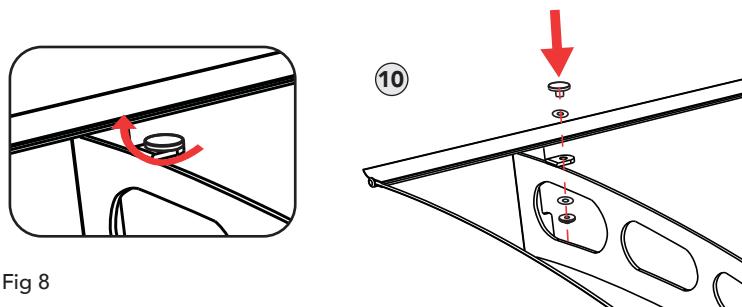


Fig 8